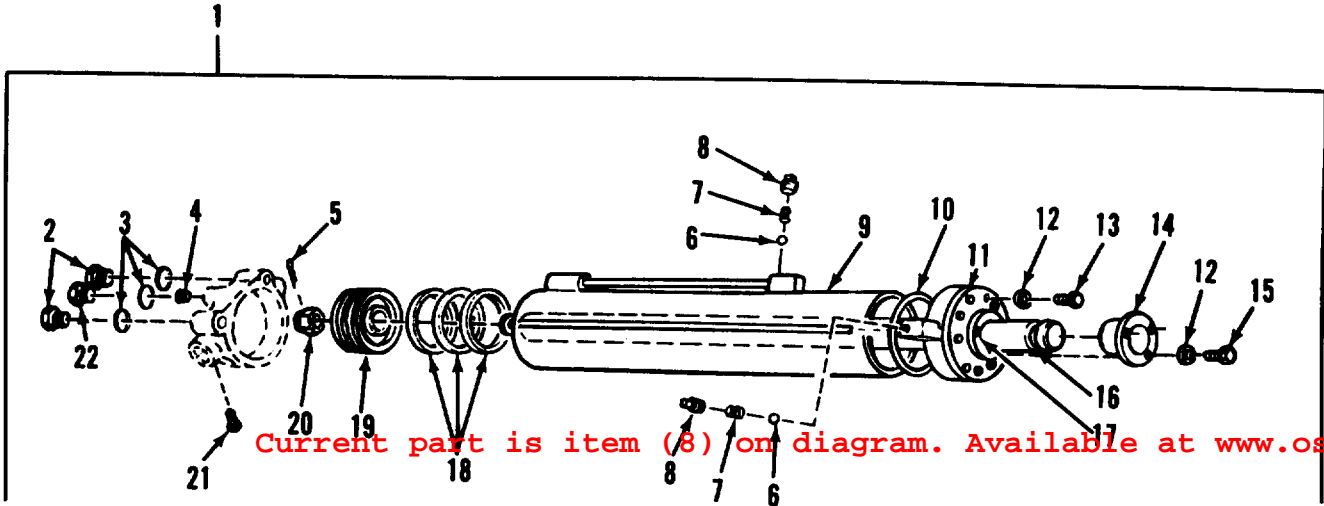


Current part is item (8) on diagram. Available at www.oshkoshequipment.com

(1)	(2)	(3)	(4)	(5)	(6)	(7)	(8)	(9)	(10)	(11)	(12)	
SMR	Federal	DESCRIPTION	UNIT	of	inc. allowance	allowance	alw	maint	per	alw	(a)	(b)
Code	Stock	Number	meas	in			100	per	100	Figure	Item	
			Unit				equip	equip	cnt-	equip	No.	No.
		Reference Number & Mfr. Code		Usable On Code	(a)	(b)	(c)	(a)	(b)	(c)		
		2001-HOIST, WINCH, CRANE ASSEMBLY-CONTINUED			1-20	21-5	(51-10)	1-20	21-5	(51-10)	gcy	
X2-F		RETAINER, LOWER: CYLINDER ROD 7409038 (19207)	AK	EA	2	*	*	*	*	*	228	7
P-F	2520-740-90	ARM, ROLLER, ASSEMBLY: 7409040 (19207)	AK	EA	2	*	*	*	*	*	3	5
P-F	2520-740-90	ARM, ROLLER, CROSSHEAD: 7409041 (19207)		EA	2	*	*	*	*	*	3	5
P-F	3120-740-92	BEARING, SLEEVE: 7409299 (19207)		EA	4	*	*	*	*	*	6	10
X1		PIN, BROOVED, HEADLESS: ROLLER ARM MS35671-51 (96906)			4						228	11
P-F	2520-740-90	ROLLER, CROSS HEAD: 7409042 (19207)		EA	2	*	*	*	*	*	3	5
P-F	5315-740-90	PIN, GROOVED, HEADLESS: ROLLER ARM 7409020 (19207)		EA	2	*	*	*	*	*	8	10
P-F-R	2540-740-90	ADAPTER, CONTROL VALVE: WITH SPRING AND PLUNGER 7409075 (19207)	AK	EA	1	*	*	*	*	*	6	10
P-F	4730-740-90	PLUG, MACHINE THREAD: END 2297564 (24617)		EA	1	*	*	*	*	*	4	8
P-F	2590-291-97	PACKING, PREFORMED: ADAPTER CONTROL VALVE 8331869 (19207)		EA	1	*	*	*	*	*	6	10
P-F	2590-740-92	SPRING, HELICAL, COMPRESSION: CONTROL VALVE ADAPTER PLUNGER 7409231 (19207)		EA	1	*	*	*	*	*	6	10
P-F	2520-740-90	PLUNGER: CONTROL VALVE ADAPTER 7409077 (19207)		EA	1	*	*	*	*	*	3	5
P-F	2590-933-95	BODY, ADAPTER, HYDRAULIC: 8758394 (19207)		EA	1	*	*	*	*	*	2	5
P-F	5310-637-95	WASHER, LOCK: ADAPTER CONTROL VALVE MS35338-46 (96906)	AK	EA	6	*	*	*	*	*	6	20
P-F	5305-071-22	SCREW CAP, HEXAGON HEAD: VALVE ADAPTER MS90725-11 (96906)	AK	EA	6	*	*	*	*	*	6	20
X1		WASHER, LOCK: (COMPONENT OF PARTS KIT, CONTROL VALVE, FSN 2540-740-9205) 7740-38-15 (81336)	AK		4						229	9



AT 47322

Figure 227. Cylinder assembly.

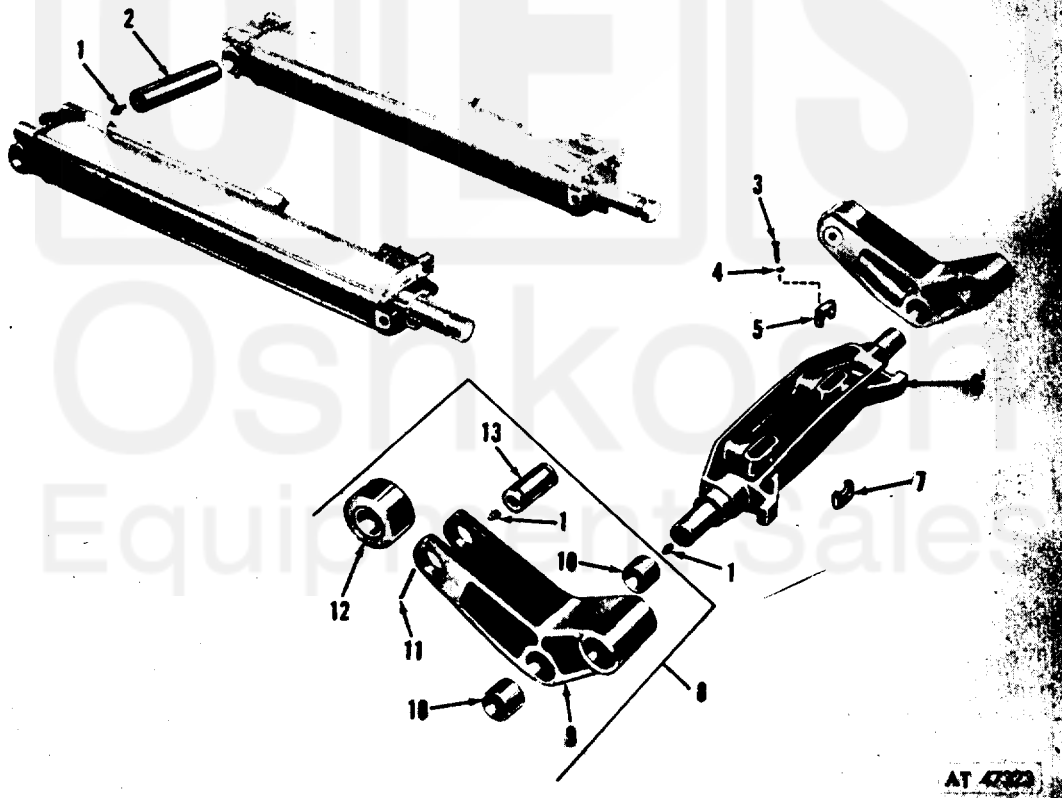


Figure 228. Cylinder assembly and related parts.